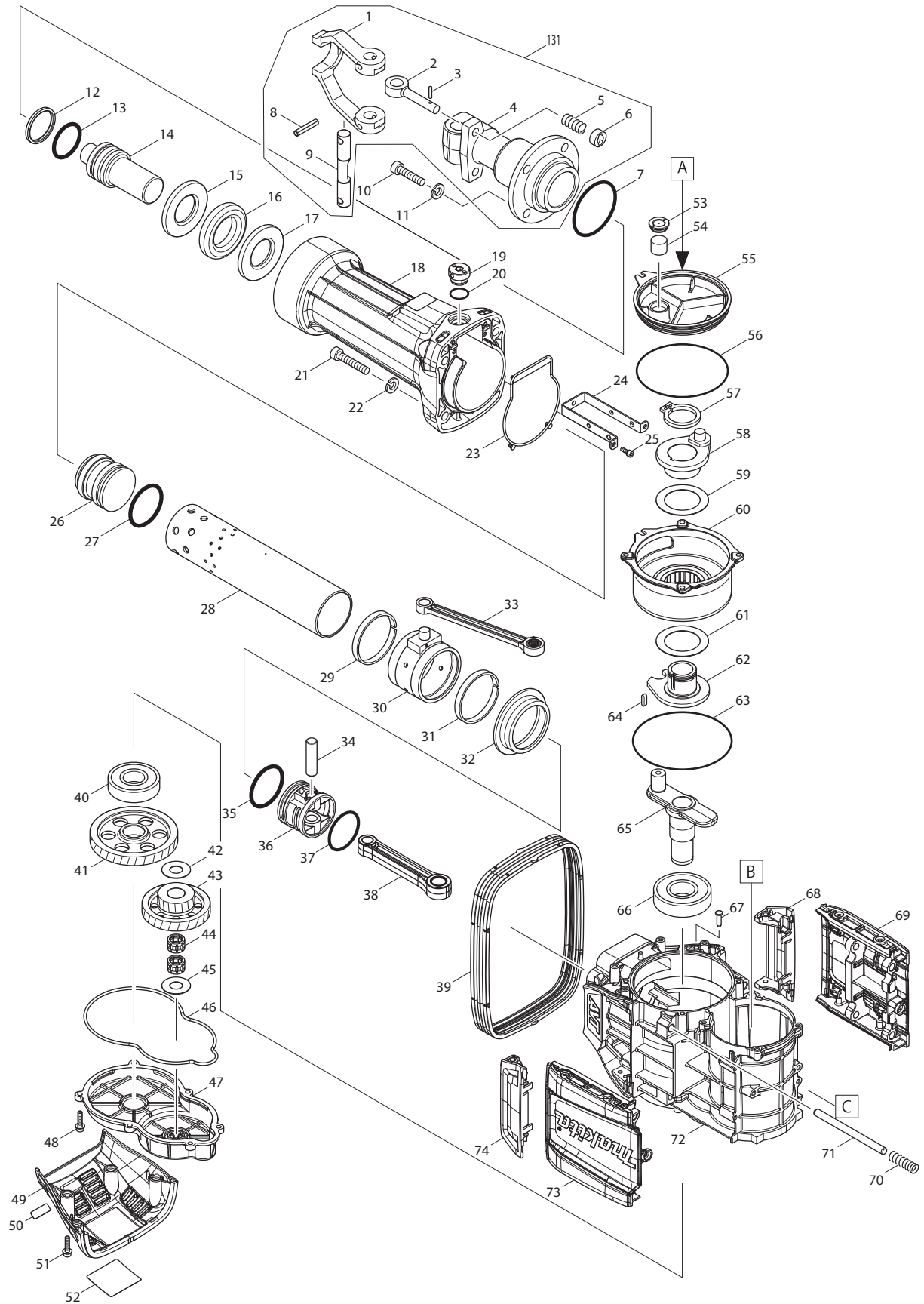
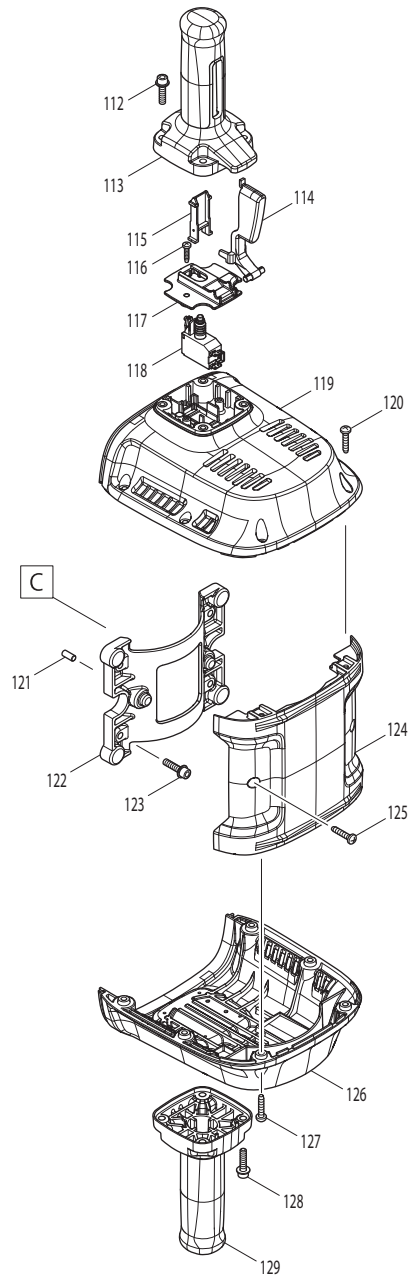
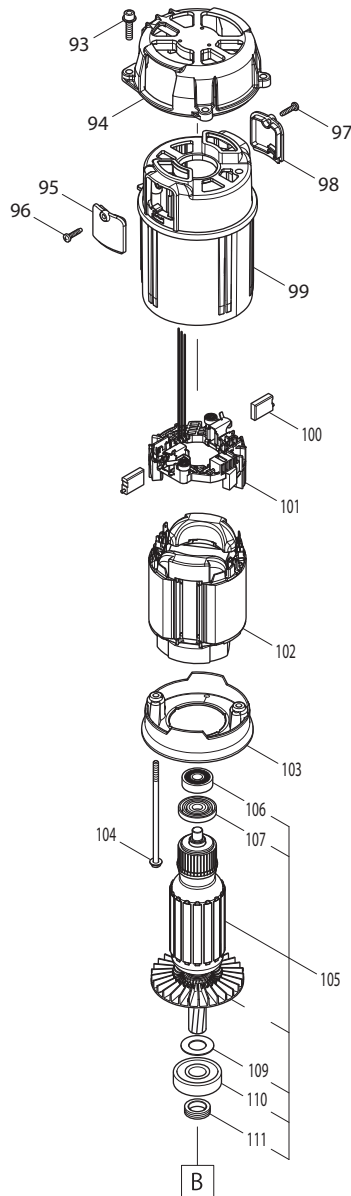
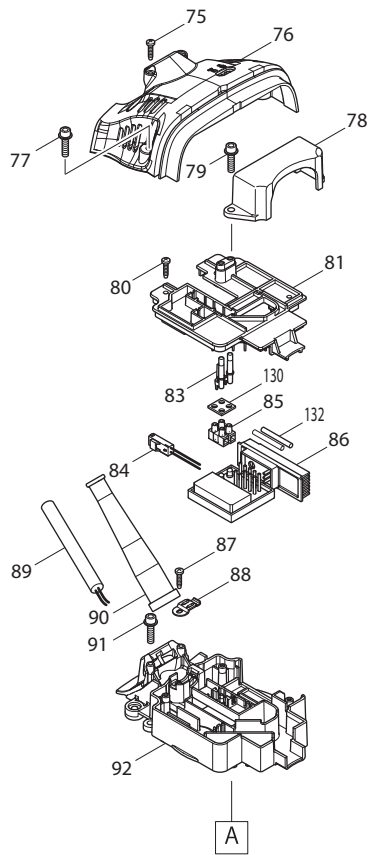




03 - 2015
HM1812
HM1812X1
1-1/8" HEX ELECTRIC BREAKER





PARTS LIST

Item No	Type	Part No	Description	Qty	Unit
001		324236-0	TOOL RETAINER	1	PC.
002		322477-2	TOOL RETAINER POLE	2	PC.
003		256219-1	PIN 4	2	PC.
004		310616-6	TOOL HOLDER 29	1	PC.
005		233083-7	COMPRESSION SPRING 12	2	PC.
006		322560-5	RETAINER RING	2	PC.
007		213757-6	O RING 80	1	PC.
008	1	951272-9	SPRING PIN 8-40	2	PC.
008	2	258071-3	SPRING PIN 8-40	2	PC.
009		324238-6	TOOL RETAINER SHAFT	1	PC.
010		265989-1	HEX. SOCKET BOLT M12X45	4	PC.
011		942301-9	SPRING WASHER 12	4	PC.
012		213797-4	X RING 47	1	PC.
013		213798-2	O RING 47	1	PC.
014		326469-3	IMPACT BOLT	1	PC.
015		332127-1	WASHER 42	1	PC.
016		262174-7	RUBBER RING 47	1	PC.
017		332127-1	WASHER 42	1	PC.
018		143178-7	BARREL COMPLETE	1	PC.
018	INC.	806G43-0	CAUTION LABEL	1	PC.
019		450347-6	CAP	1	PC.
020		213953-6	O RING 24	1	PC.
021		922677-0	HEX. SOCKET BOLT M12X55	4	PC.
022		942301-9	SPRING WASHER 12	4	PC.
023		424666-6	SEAL RING A	1	PC.
024		346840-5	PLATE	1	PC.
025	2	266071-9	HEX. SOCKET HEAD BOLT M5X16	2	PC.
026		326470-8	STRIKER	1	PC.
027		213799-0	O RING 56	1	PC.
028		332130-2	CYLINDER LINER 66	1	PC.
029		455492-2	SPACER 72	1	PC.
030		123361-2	BALLANCER ASSEMBLY	1	PC.
030	INC.		Item No. 29		
031		455492-2	SPACER 72	1	PC.
032		332131-0	SPACER	1	PC.
033		142922-9	CONNECTING ROD COMPLETE	1	PC.
034		268328-4	PIN 15 C	1	PC.
035		213799-0	O RING 56	1	PC.

Item No	Type	Part No	Description	Qty	Unit
036		455509-1	PISTON	1	PC.
037		213662-7	O RING 55	1	PC.
038		455490-6	CONNECTING ROD	1	PC.
039		424669-0	BELLOWS	1	PC.
040		211151-6	BALL BEARING 6306LLB	1	PC.
041		227797-8	HELICAL GEAR 57	1	PC.
042		267290-0	FLAT WASHER 18	1	PC.
043		226834-5	GEAR COMPLETE 23-59	1	PC.
044		212099-5	NEEDLE CAGE 1816	2	PC.
045		267290-0	FLAT WASHER 18	1	PC.
046		424667-4	SEAL RING B	1	PC.
047		455491-4	GEAR COVER	1	PC.
048		266923-4	H.S.HEAD BOLT M6X25 WITH GM	6	PC.
049		455500-9	SIDE COVER B	1	PC.
050		850X57-3	SERIAL NO. LABEL F/HM1812	1	PC.
051		266923-4	H.S.HEAD BOLT M6X25 WITH GM	4	PC.
052		850T96-9	NAME PLATE F/HM1812	1	PC.
053		424668-2	FILTER CAP	1	PC.
054		443127-7	FILTER	1	PC.
055		455493-0	STOPPER	1	PC.
056		213810-8	O RING 124	1	PC.
057		961156-3	RETAINING RING S-40	1	PC.
058		142921-1	CRANK COMPLETE	1	PC.
059		267486-3	FLAT WASHER 50	1	PC.
060		142952-0	CRANK BOX COMPLETE	1	PC.
061		267486-3	FLAT WASHER 50	1	PC.
062		310619-0	COUNTER SHAFT	1	PC.
063		213902-3	O RING 135	1	PC.
064		254220-0	KEY 5	1	PC.
065		310618-2	CRANK SHAFT	1	PC.
066		211500-7	BALL BEARING 6307LLU	1	PC.
067		256559-7	FLAT FILLISTER HD PIN 6	4	PC.
068		455506-7	HANDLE C	1	PC.
069		455503-3	CENTER COVER	1	PC.
070		234349-8	COMPRESSION SPRING 12A	4	PC.
071		326471-6	ROD 10	4	PC.
072		142919-8	CRANK HOUSING COMPLETE	1	PC.
073		455503-3	CENTER COVER	1	PC.
074		455506-7	HANDLE C	1	PC.

Item No	Type	Part No	Description	Qty	Unit
075		265995-6	TAPPING SCREW 4X18	2	PC.
076		455499-8	SIDE COVER A	1	PC.
077		266923-4	H.S.HEAD BOLT M6X25 WITH GM	4	PC.
078		455510-6	BRACKET	1	PC.
079		266923-4	H.S.HEAD BOLT M6X25 WITH GM	2	PC.
080		265995-6	TAPPING SCREW 4X18	3	PC.
081		455495-6	CAP COVER	1	PC.
083		455514-8	LENS	1	PC.
084		632E02-4	LEAD UNIT	1	PC.
085		654531-7	TERMINAL BLOCK 2P	1	PC.
086		620364-2	CONTROLLER	1	PC.
087		265995-6	TAPPING SCREW 4X18	1	PC.
088		687683-9	STRAIN RELIEF	1	PC.
089		664290-5	CORD W/PLUG 2P-14-5.0M	1	PC.
090		682578-1	CORD GUARD	1	PC.
091		266923-4	H.S.HEAD BOLT M6X25 WITH GM	2	PC.
092		455494-8	CRANK HOUSING CAP	1	PC.
093		266923-4	H.S.HEAD BOLT M6X25 WITH GM	4	PC.
094		319220-8	BEARING BOX	1	PC.
095		455498-0	BRUSH HOLDER COVER	1	PC.
096		265995-6	TAPPING SCREW 4X18	1	PC.
097		265995-6	TAPPING SCREW 4X18	1	PC.
098		455498-0	BRUSH HOLDER COVER	1	PC.
099		455496-4	MOTOR HOUSING	1	PC.
100	1	197128-4	CARBON BRUSH CB-218 2PC/SET W/ ORIGIN	1	SET
100	2	197129-2	CARBON BRUSH CB-218 2PC/SET W/ ORIGIN	1	SET
101	2	632L58-9	BRUSH HOLDER UNIT	1	PC.
102		636405-4	FIELD 100-115V	1	PC.
103		455497-2	BAFFLE PLATE	1	PC.
104		266922-6	+ HEX. BOLT M5X120 WITH GM	2	PC.
105		517911-7	ARMATURE ASS'Y 115V	1	PC.
106		211087-9	BALL BEARING 6200DDW	1	PC.
107		681630-2	INSULATION WASHER	1	PC.
109		267487-1	FLAT WASHER 17	1	PC.
110		211152-4	BALL BEARING 6303LLU	1	PC.
111		332129-7	SEALING SCREW	1	PC.
112		266923-4	H.S.HEAD BOLT M6X25 WITH GM	4	PC.
113		455504-1	HANDLE A	1	PC.
114		455508-3	SWITCH LEVER	1	PC.

Item No	Type	Part No	Description	Qty	Unit
115		455511-4	SWITCH GUIDE	1	PC.
116		265995-6	TAPPING SCREW 4X18	1	PC.
117		455507-5	SWITCH COVER	1	PC.
118		650738-3	SWITCH C3JW-C-P	1	PC.
119		455502-5	HANDLE BASE A	1	PC.
120		266041-8	TAPPING SCREW 5X25	6	PC.
121		256269-6	PIN 6	2	PC.
122		319222-4	BASE	1	PC.
123		266923-4	H.S.HEAD BOLT M6X25 WITH GM	4	PC.
124		455501-7	HEAD COVER	1	PC.
125		266041-8	TAPPING SCREW 5X25	2	PC.
126		455512-2	HANDLE BASE B	1	PC.
127		266041-8	TAPPING SCREW 5X25	6	PC.
128		266923-4	H.S.HEAD BOLT M6X25 WITH GM	4	PC.
129		455505-9	HANDLE B	1	PC.
130		685756-2	RUBBER SHEET	1	PC.
131		135669-2	TOOL HOLDER ASS'Y	1	PC.
131	INC.		Item No. 1-6,8,9		
132	1	684970-7	GLASS CLOTH TUBE 3.5-45	2	PC.
132	2	684670-9	VARNISHED POLYESTER TUBE	2	PC.
A01		783203-8	HEX. WRENCH 5	1	PC.
A02		B-45559	1-1/8" HEX BULL POINT	1	PC.
A03		197127-6	HAMMER SERVICE KIT	1	PC.
A03	INC.	213799-0	O RING 56	2	PC.
A03	INC.	213798-2	O RING 47	1	PC.
A03	INC.	213797-4	X RING 47	1	PC.
A03	INC.	213670-8	O RING 58	1	PC.
A03	2	INC. A-90582	HAMMER GREASE 30G	1	PC.
A03	3	INC. 197128-4	CARBON BRUSH CB-218 2PC/SET W/ ORIGIN	1	SET
A05		T-02892	HAMMER CART	1	PC.
A06		751220-A	NARROW CHISEL 20"	1	PC.
A07		751420-A	1-1/8" BULL POINT 20"	1	PC.
D01		654510-5	INSULATED CONNECTOR 5.5-SD	3	PC.
F04		197172-1	DUST EXTRACTOR ATTACHMENT	1	PC.
F04	INC.	123352-3	HOSE HOLDER ASSEMBLY (N/A Individually)	1	PC.
F04	INC.	143139-7	HOSE COMPLETE 28-1.5 (N/A Individually)	1	PC.
F04	INC.	415021-3	HOSE JOINT	1	PC.
F04	INC.	454809-6	HOSE HOLDER C	1	PC.
F04	INC.	195545-2	FRONT CUFF 38 PKG (BULK# 417766-9)	1	PC.